

## Compass™ Specifications

Characteristic	Value
Pressure Range	-199 to +199 mm Hg
Accuracy	± 2 mm Hg below 50mm Hg ± 5 mm Hg above 50mm Hg
Zero Drift	± 1 mm Hg per 4 hours
Operating Life	>8 hours
Operating Temperature	15 to 40°C (32 – 104°F)
Storage Temperature	-29 to 49°C (-20 – 120°F)
Light Sensitivity	< 1 mm Hg
Lithium Battery Voltage	3 Volts

## Error Codes

If the software detects device malfunction, the following codes will be displayed and the device rendered inoperable:

### Display Meaning

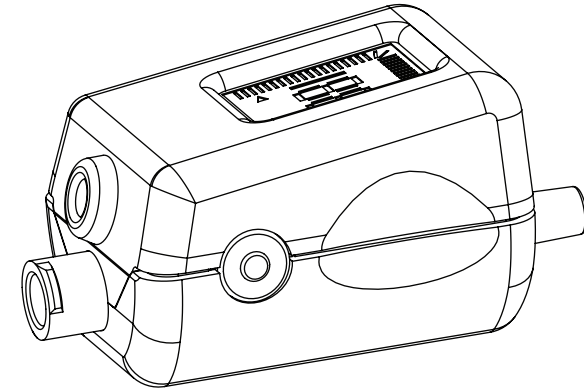
SF	Software Failure
HF	Hardware Failure
PF	Pressure Sensor Failure
BF	Battery Failure—Less than 30 minutes of use remains at device power-on
EE	Environmental Error—Device is outside of its operating temperature range.
CE	Calibration Error—Pressure values outside required accuracy (+/- 5 mm Hg)

Mirador Biomedical, Inc.  
2815 Eastlake Ave E. Suite 300  
Seattle, WA 98102  
(206) 295-3372

PN-00043-002



## Compass™ Vascular Access



**Indications for Use:** The Compass™ Vascular Access disposable pressure transducer with integrated digital display is intended for direct measurement and monitoring of invasive blood pressure.

**Information for Use:** Please review prior to use

**Caution:** Federal (USA) law restricts this device to sale by or on the order of a physician.  
Device is sterile if pouch is unopened and undamaged.  
This product is designed for single use only.  
Do not resterilize or reuse.

## A Suggested Procedure

1. Remove COMPASS from its sterile package.
2. Activate COMPASS by depressing power button until display reads "00" (refer to Fig. 1).

**WARNING: Turn on COMPASS prior to attaching needle and syringe to avoid incorrect baseline pressure.**

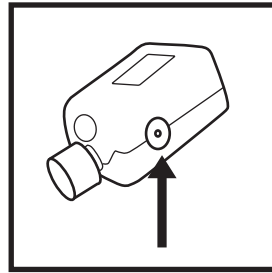


Fig. 1

3. Remove cap (refer to Fig. 2).

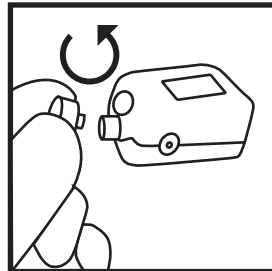


Fig. 2

4. Attach introducer needle and syringe to COMPASS (refer to Fig. 3).

5. Insert introducer needle into central vein or other vessel.

**WARNING: Do not reinfuse blood or other bodily fluid into the patient after any such fluid is drawn into the COMPASS.**

**WARNING: Do not reuse the COMPASS for more than one procedure in the same patient. Use a new COMPASS device for each procedure.**

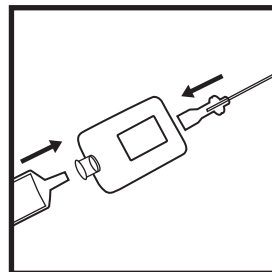


Fig. 3

6. Verify vessel access using pressure reading on COMPASS display (refer to Fig. 4).

**WARNING: To avoid a non-physiological pressure reading, do not move syringe plunger while measuring vessel pressure.**

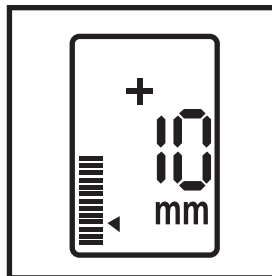


Fig. 4

7. Insert guidewire (0.025", 0.035", or 0.038" diameter) through COMPASS guidewire port and into vessel (refer to Fig. 5)

*Alternate Technique:*

Remove syringe and insert guidewire through syringe port on COMPASS.

**WARNING: Pressure reading is not physiological after the syringe is removed from the COMPASS. Pressure is atmospheric.**

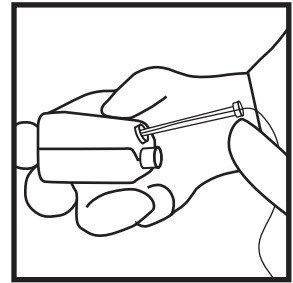


Fig. 5

*Alternate Technique:*

Remove COMPASS from needle and insert guidewire through introducer needle.

8. Hold guidewire in place and remove introducer needle and COMPASS assembly.
9. Perform catheter insertion per catheter manufacturer's instructions.

Device Power Off: Press button three times in a ("PUSH", "PUSH", "HOLD") sequence; quickly push button twice and then hold third button push until device turns off. Turn device back on to reset.

Note: If COMPASS pressure reading does not return to zero after removal from vessel, flush device with saline and then turn off device to reset the zero.

